

# Inhoudsopgave

## INHOUD

Aandrijving Snaren & pulley's .....	18
Assen Stuur & Rem .....	24
Elektrische Delen .....	27
Frame .....	8
Grasvang Bak .....	10
Kappen Zitting & Stuur en Tank .....	4
Motor & Filters .....	12
Stickers .....	31
Wielen .....	29



# Gianni Ferrari

## GTR



**CATALOGO PARTI DI RICAMBIO**

**CATALOGUE PIECES DETACHEES**

**SPARE PARTS CATALOGUE**

**TERSATZTEILKATALOG**



COMPOSIZIONE CODICE D'ORDINE

NUMERO DI MATRICOLA ALFANUMERICO DEL TELAIO + CODICE PARTICOLARE DI RICAMBIO

COMPOSITION OF THE ORDER CODE

ALPHANUMERICAL SERIAL NUMBER OF THE FRAME + CODE NUMBER OF THE SPARE PART

COMPOSITION DU CODE DE L'ORDRE

NUMÉRO DE SÉRIE ALPHANUMÉRIQUE DU CHÂSSIS + CODE AU PIECE DE RECHANGE

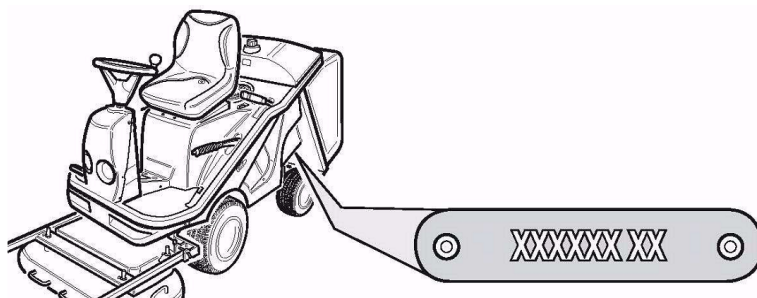
AUFBAU DES BESTELLKODE

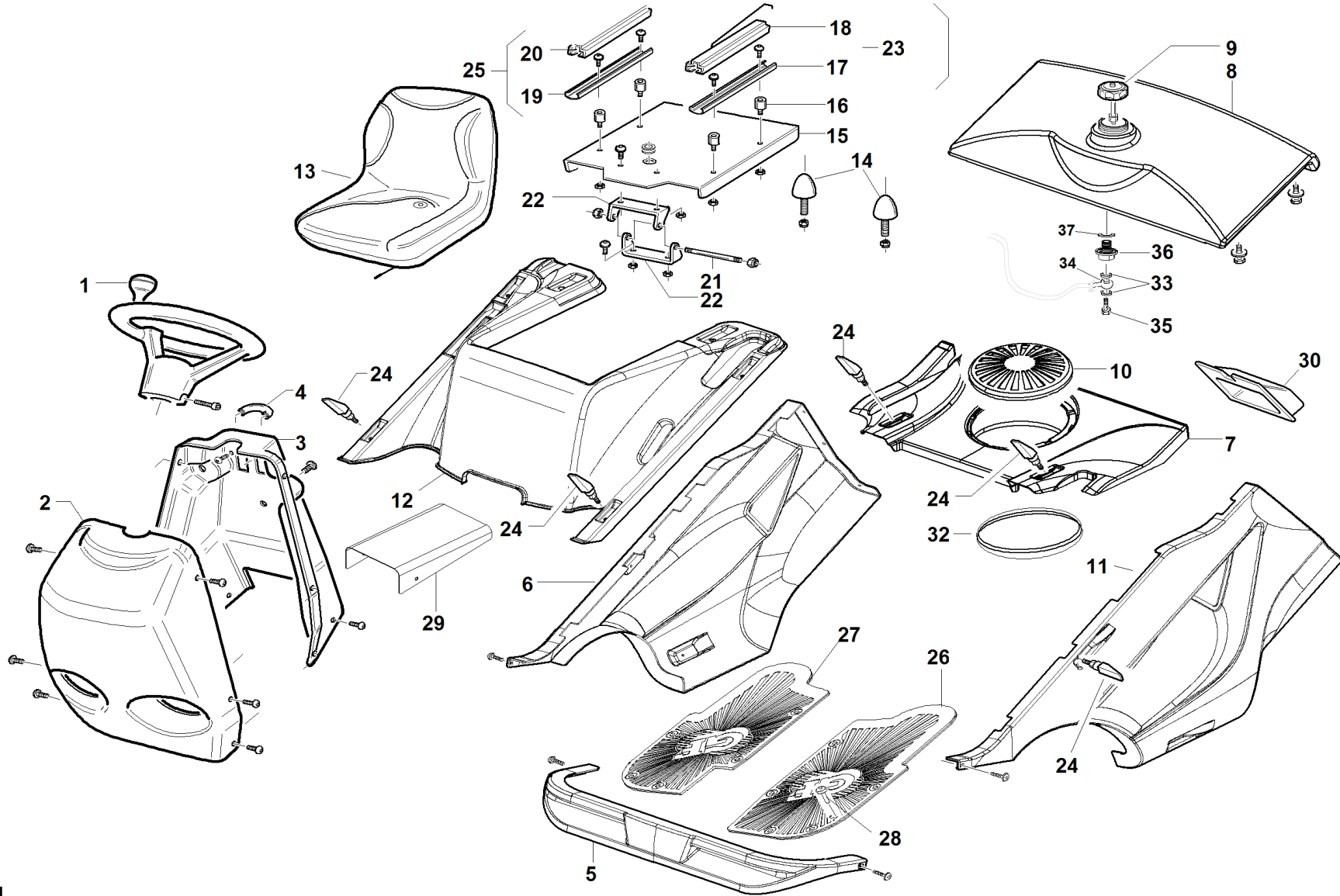
ALPHANUMERISCHE SERIENNUMMER DES GERÜSTES + HINWEIS AUF DAS CODE

MATRICOLA CATALOGO

NUMERO DI MATRICOLA ALFANUMERICO DEL TELAIO  
ALPHANUMERICAL SERIAL NUMBER OF THE FRAME  
NUMÉRO DE SÉRIE ALPHANUMÉRIQUE DU CHÂSSIS  
ALPHANUMERISCHE SERIENNUMMER DES GERÜSTES

99999999XXX

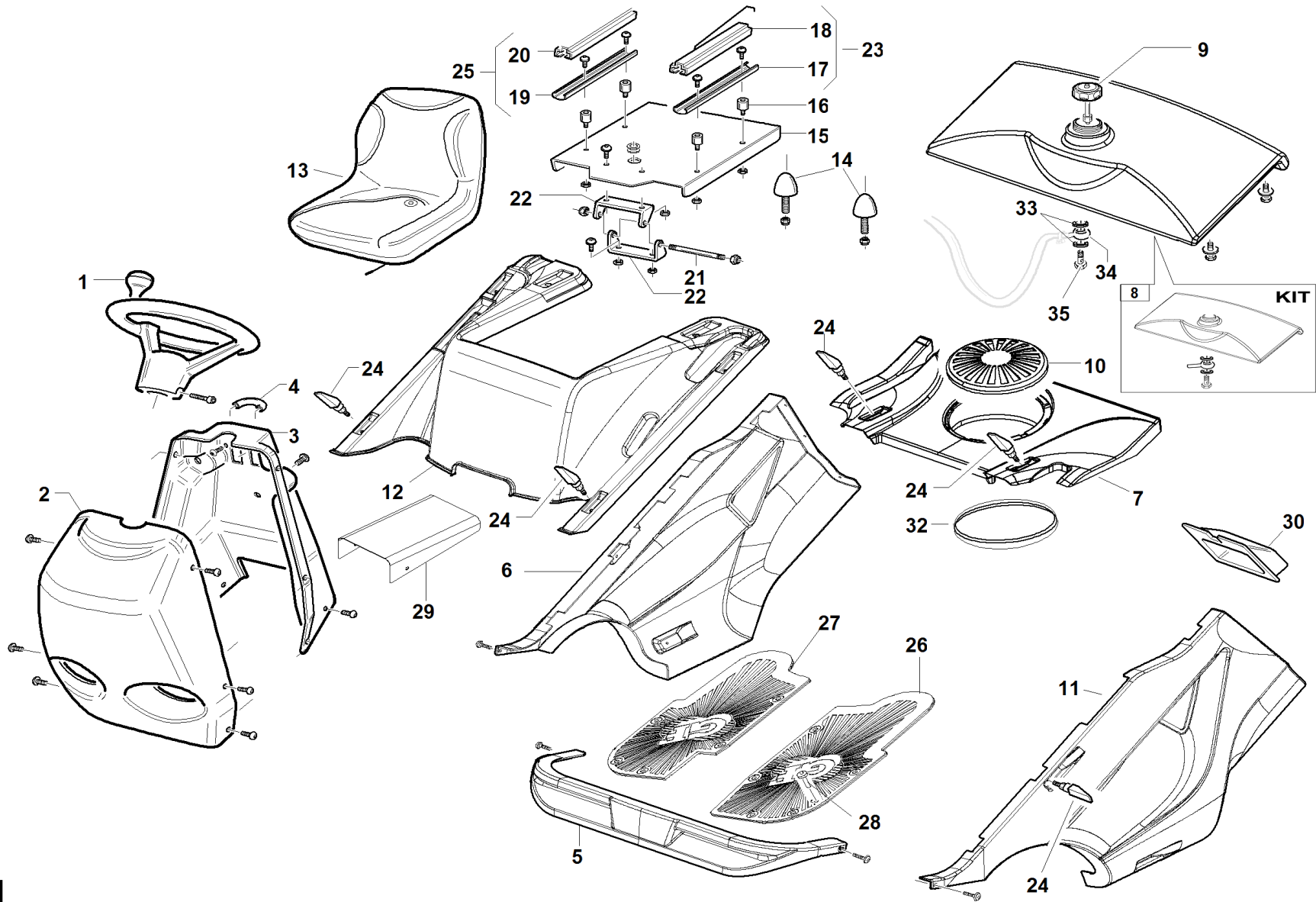




**S/N**  
→1211006

**REF.01 - 00555501801**

#	P/N	DESCRIPTION	GTR
1	00111970209	STEERING WHEEL W/BUSHING	
2	94500000084	FRONT DASHBOARD RAL 3002	
3	94500000107	REAR DASHBOARD	
4	00111990088	WHITE HANDLE	
5	89001100005	GTM FRONT DASHBOARD	
6	87001271100	CARENA LATERALE DX PREMONTATA	
7	87001291000	ASSEMBLY ENGINE HOOD	
8	89001110001	FUEL TANK	
9	00111970199	TANK PLUG WITH LEVEL	
10	00111970153	ENGINE-EXHAUST GRID	
11	87001271000	CARENA LATERALE SX PREMONTATA	
12	89001101000	ASSEMBLED BOY	
13	00777850035	GTM SEAT	
14	00111970224	PLUG	
15	89001000033	SEAT SUPPORT	
16	92002100006	SPACER Ø12X20 H=18.3 ZNT	
17	00777850026	LOWER LEFT GUIDE	
18	00777850036	UPPER RIGHT SEAT GUIDE	
19	00777850025	LOWER GUIDE	
20	00777850037	UPPER LEFT SEAT GUIDE	
21	94500000066	HOOD HINGE PIN	
22	95500000003	SEAT SUPPORT HINGE	
23	00777850038	SEAT RIGHT GUIDE PAIR	
24	00111970196	FASTENING DEVICE	
25	00777850039	SEAT LEFT GUIDE PAIR	
26	87001290001	RIGHT FOOTBOARD	
27	87001290002	LEFT FOOTBOARD	
28	00111970169	CLOSER PLUG D. 10.5	
29	87001000039	TUNNEL	
30	89001000056	REAR COVER	
32	95599000087	GASKET	
33	00777600001	WASHER COPPER 1/4	
34	00777600183	METAL EYELET 1/4	
35	00777600040	SIMPLE CABLE BOLT	
36	87001000068	ADAPTER M3/8	
37	00777230025	GASKET	



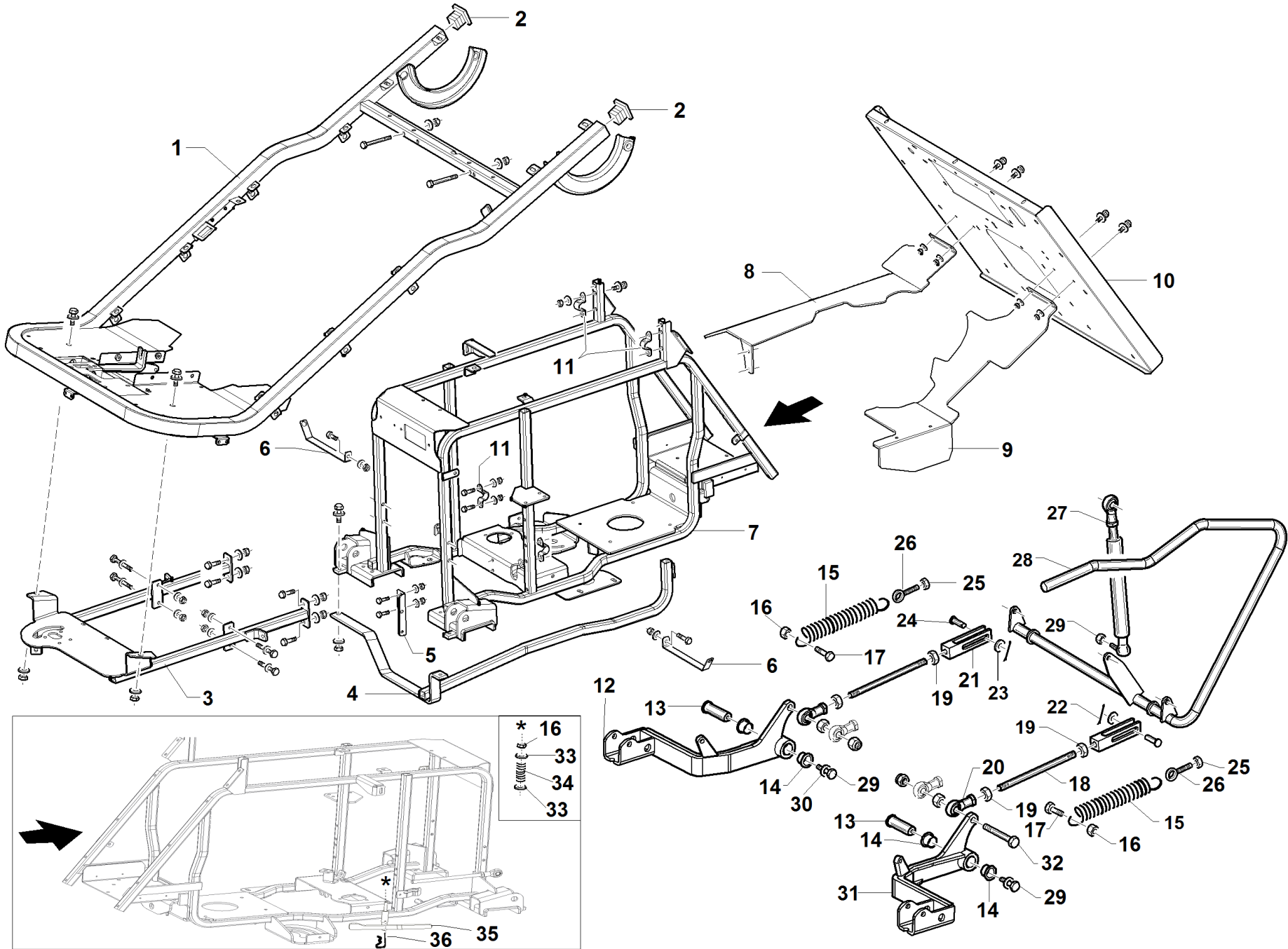
**S/N**

→ **1201001 ÷ 1211005** ←

**REF.01 - 00555501811**

#	P/N	DESCRIPTION	GTR
1	00111970209	STEERING WHEEL W/BUSHING	
2	94500000084	FRONT DASHBOARD RAL 3002	
3	94500000107	REAR DASHBOARD	
4	00111990088	WHITE HANDLE	
5	89001100005	GTM FRONT DASHBOARD	
6	87001271100	CARENA LATERALE DX PREMONTATA	
7	87001291000	ASSEMBLY ENGINE HOOD	
8	95598520000	GTM TANK SPARE PARTS KIT	
9	00111970199	TANK PLUG WITH LEVEL	
10	00111970153	ENGINE-EXHAUST GRID	
11	87001271000	CARENA LATERALE SX PREMONTATA	
12	89001101000	ASSEMBLED BOY	
13	00777850035	GTM SEAT	
14	00111970224	PLUG	
15	89001000033	SEAT SUPPORT	
16	92002100006	SPACER Ø12X20 H=18.3 ZNT	
17	00777850026	LOWER LEFT GUIDE	
18	00777850036	UPPER RIGHT SEAT GUIDE	
19	00777850025	LOWER GUIDE	
20	00777850037	UPPER LEFT SEAT GUIDE	
21	94500000066	HOOD HINGE PIN	
22	95500000003	SEAT SUPPORT HINGE	
23	00777850038	SEAT RIGHT GUIDE PAIR	
24	00111970196	FASTENING DEVICE	
25	00777850039	SEAT LEFT GUIDE PAIR	
26	87001290001	RIGHT FOOTBOARD	
27	87001290002	LEFT FOOTBOARD	
28	00111970169	CLOSER PLUG D. 10.5	
29	87001000039	TUNNEL	
30	89001000056	REAR COVER	
32	95599000087	GASKET	
33	00777600003	WASHER COPPER 3/8	
34	00777600142	METAL EYELET 3/8-1/4	
35	00777600041	EMPTY SCREW 3/8	

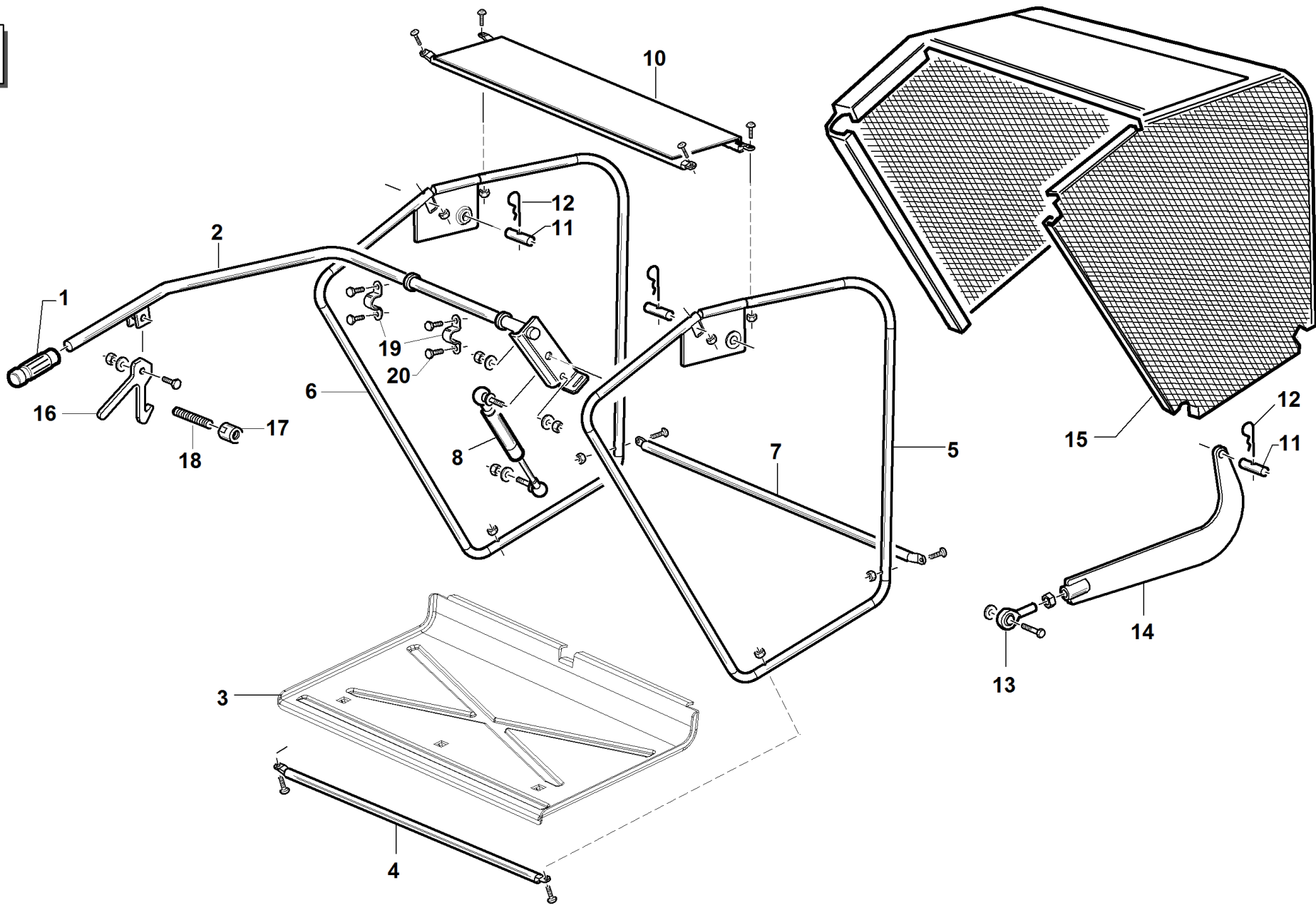
**GTR**





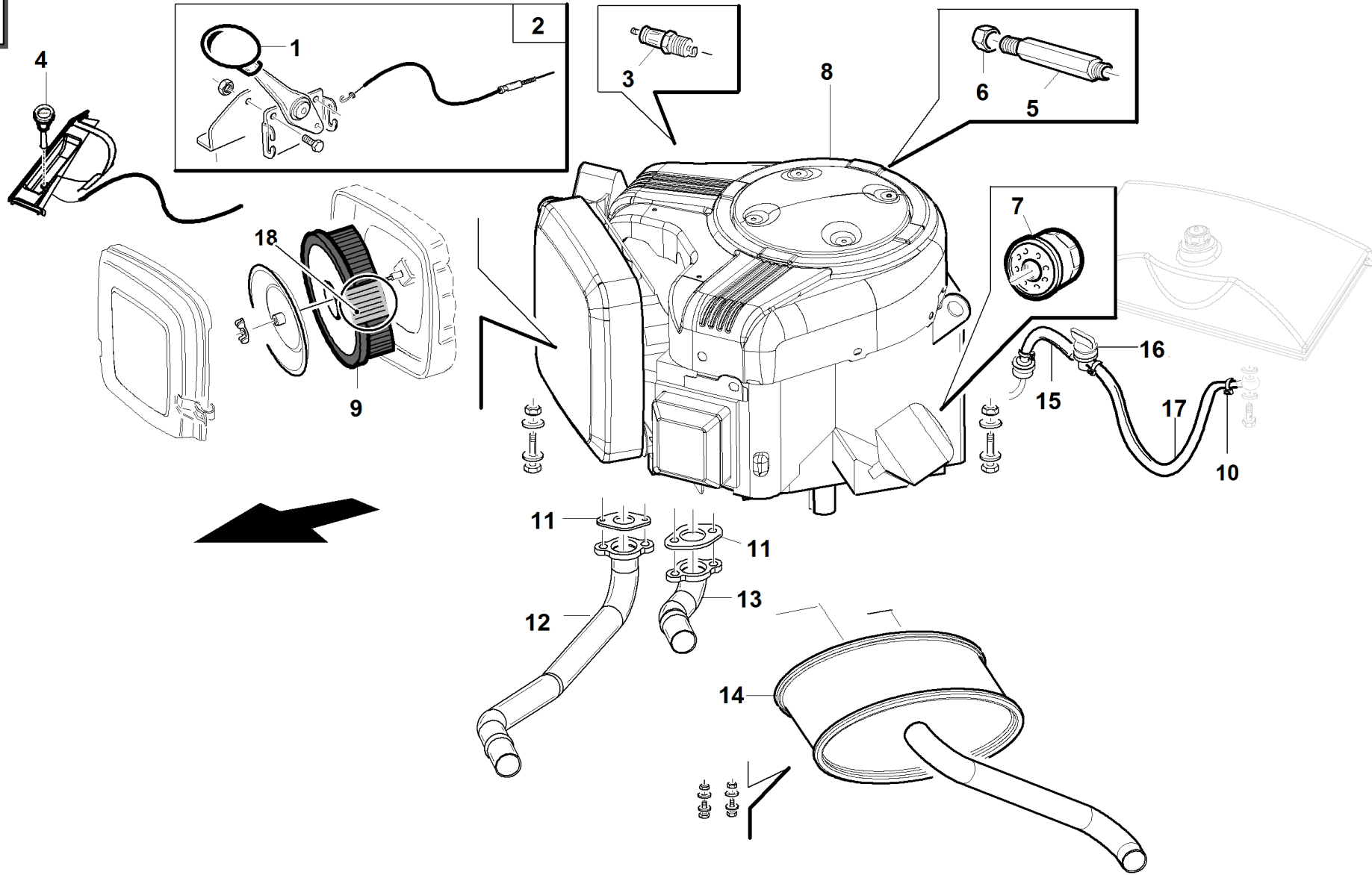
#	P/N	DESCRIPTION	GTR
1	89001280000	EXTERNAL FRAME	
2	00111970206	SQUARE PLUG 40x40	
3	87001340000		
4	87001380000		
5	87001000047		
6	87001000046		
7	87001330000		
8	87001000060		
9	87001000061		
10	87001000038		
11	89001000003	BRACKET	
12	87001360000		
13	87001000044		
14	00111990017	BUSHING WITH EDGE TFF 20/16,5	
15	95001000051	COMPENSATION SPRING	
16	00111000071	SELF BLO. NUT M8	
17	00111000033	SCREW TE M8X30	
18	87001000054		
19	00111150010	NUT 5589	
20	00777200019	SPHEROX TF12 RIGHT	
21	87001000036		
22	00111750007	SPLIT PIN	
23	00111500013	WASHER P10,5x18x2	
24	87001000037		
25	00111000082	NUT M8	
26	00111990024	METAL EYELET M8 RIGHT	
27	00111990141	"STABILUS 094463 F=800 N GAS SPRING	
28	87001280000		
29	00111000081	SCREW TE M8X16	
30	00111000061	WASHER 8.4X24X2	
31	87001370000		
32	00111000024	SCREW TE UNI 5739	
33	00111000061	WASHER 8.4X24X2	
34	95139100002	SPRING	
35	87001460002		
36	00111000175	"PIN ""R"" D.4"	

**GTR**



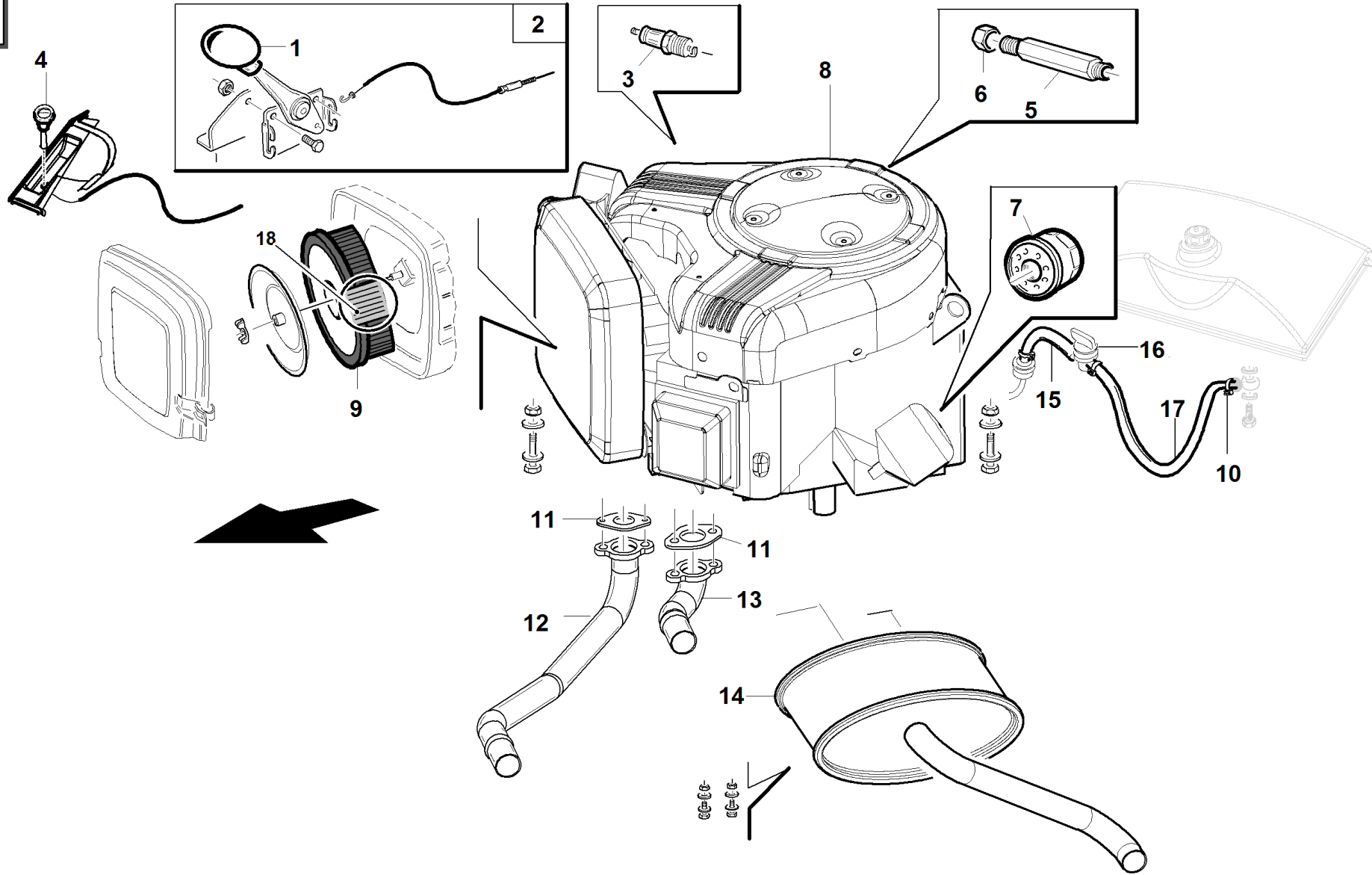
#	P/N	DESCRIPTION	GTR
1	00111970205	HANDGRIP	
2	89001130000	COLLECTOR LEVER	
3	89001000032	HOPPER COVER	
4	89001150001	COLLECTOR CROSS TUBE	
5	89001460000	LEFT SIDE COLLECOTR FRAME	
6	89001470000	RIGHT SIDE COLLECOTR FRAME	
7	89001000009	REAR CROSS ARM	
8	00111990126	GAS SPRING STABILUS 083631 F=700 N	
9	89001000003	BRACKET	
10	89001150000	CROSS ARM	
11	89001000020	COLLECTOR ROTATION PIN	
12	00111000175	PIN "R" D.4	
13	00777200016	BIG END OF THE CONNECTING ROD TM14	
14	89001520000	HOPPER DISCHARGE ROD	
15	89001000049	GTM HOPPER GRID	
16	87001420001	OPENING COLLECTOR SYSTEM LOCK LEVER	
17	89001000035	TIE ROD PIN	
18	89001000046	SPACER Ø14XØ20X5	
19	89001000007	LOWER CROSS ARM	
20	00111800003	RIVET D. 4,8 X 9	

**GTR**



#	P/N	DESCRIPTION	GTR
1	00111610004	BLACK ACCELERATOR LEVER	
2	94500860000	THROTTLE LEVER WITH CABLE	
3	00777750001	SPARK PLUG 491055	
4	92001000029	STARTER CABLE	
5	92001000056	OIL RELIEFG EXTENSION	
6	00777600170	ROTATING CAP 3/8	
7	00777650001	OIL FILTER 9/18 HP	
8	00777700032	B&S 16HP TWIN-CYLINDER ENGINE	
9	00777650071	B&S 20HP PRE-FILTER	
10	00111810010	CLAMP 10-16 TYPE NORMA	
11	00111990009	EXHAUST GASKET	
12	87001390003		
13	87001390002		
14	87001390001		
15	87001000070		
16	00111970203	FUEL TAP	
17	87001000069		
18	00777650070	B&S 20HP FILTER CARTRIDGE	

**GTR**



#	P/N	DESCRIPTION	GTR
1	00111610004	BLACK ACCELERATOR LEVER	
2	94500860000	THROTTLE LEVER WITH CABLE	
3	00777750001	SPARK PLUG 491055	
4	92001000029	STARTER CABLE	
5	92001000056	OIL RELIEFG EXTENSION	
6	00777600170	ROTATING CAP 3/8	
7	00777650001	OIL FILTER 9/18 HP	
8	00777700033	B&S 20HP TWIN-CYLINDER ENGINE	
9	00777650071	B&S 20HP PRE-FILTER	
10	00111810010	CLAMP 10-16 TYPE NORMA	
11	00111990009	EXHAUST GASKET	
12	87001390003		
13	87001390002		
14	87001390001		
15	87001000070		
16	00111970203	FUEL TAP	
17	87001000069		
18	00777650070	B&S 20HP FILTER CARTRIDGE	





**#**

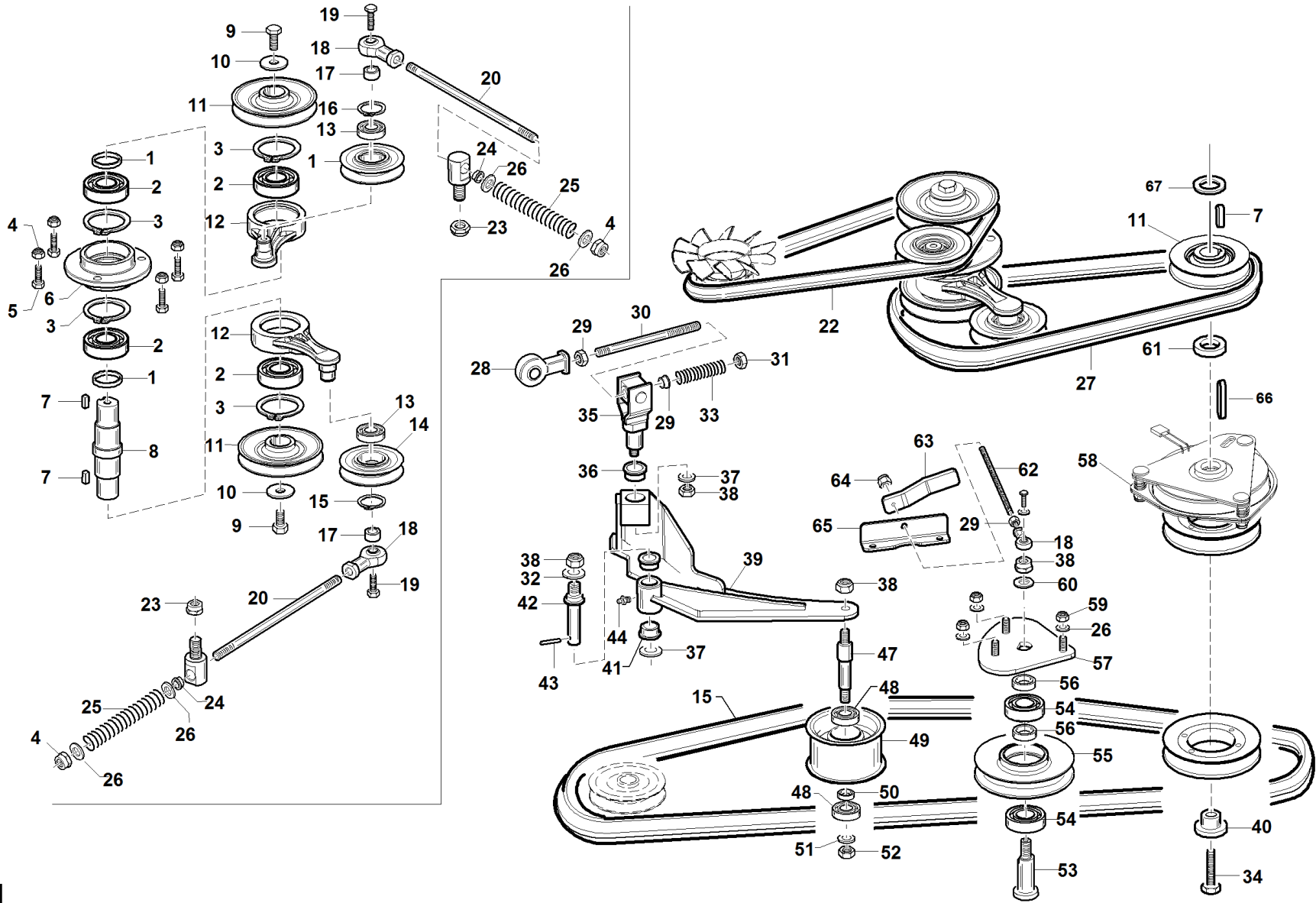
**P/N**

**DESCRIPTION**

**REF. 06**

#	P/N	DESCRIPTION	REF. 06

**GTR**



**S/N**  
→**1205014**

**REF.06 - 00555501812**

#	P/N	DESCRIPTION	GTR
1	87001000018	SPACER	
2	00777100061	KOYO BEARING 60062RS1 30X55X13	
3	00111650003	SNAP RING D.55 I	
4	00111000071	SELF BLO. NUT M8	
5	00111300008	SCREW TE M8X25	
6	87001000016	SUPPORTO ALBERO RINVIO ZNT	
7	00111900022	TONGUE 1/4 X 1/4 X 14,5	
8	87001000017	STEERING TRANSMISSION SHAFT	
9	00111000046	SCREW TE M10X20 8.8 ZNT	
10	00111550010		
11	87001000019	PULEGGIA MOTRICE ZNT	
12	87001000020	BRACCIO TENDITORE ZNT	
13	00777100010	BEARING 6003 2RS 17X35X10	
14	95500320000	TIGHTENER PULLEY	
15	00111980047	SPB 2330 77-26 BELT	
16	00111650005	SNAP RING D.35 I	
17	95001000027	BORE WASHER Ø8.25X14 L=8	
18	00777200007	ARTICULATION HEAD CF8 M8	
19	00111000033	SCREW TE M8X30	
20	92001000021	LEVER STAFF BELT TIGHTENER	
22	00111980048	QUAD POWER III XPA 690 BELT	
23	00111000080	SELF BLO. SCREW M10	
24	00111530002	SYNTHETIZE BUSHING 8X10 L=9.5	
25	94500000088	PTO TIGHTENER SPRING	
26	00111000061	WASHER 8.4X24X2	
27	00111980038	QUAD POWER II BELT	
28	00777200019	SPHEROX TF12 RIGHT	
29	00111150010	NUT 5589	
30	87001000064	CAM ROD	
31	00111250008	SELF BL. NUT M12	
32	00111000105	WASHER P.13X24X2,5	
33	87001000059	SPRING De=19.2 L=152 FILO=3	
34	00111300056	SCREW TE 7/16-20 L=60	
35	87001440000	PERNO TENDITORE PTO COMPLETO ZNT	
36	00111990017	BUSHING WITH EDGE TFF 20/16,5	
37	00111500004	WASHER 15,2X28X2.5	
38	00111250002	SELF BL. NUT M12	
39	87001430000	BELT TIGHTENER	
40	87001000030		
41	95001000060	BRASS BUSHING	
42	87001000049	PERNO FISSAGGIO TENDITORE PTO ZNT	
43	00111000039	ELASTIC PEG D.5X24	
44	00111000036	GREASER M6	
47	87001000048	PULLEY SHAFT	
48	00777100005	KOYO BEARING 6202 2RS	
49	95029000007	STOP BELT PULLEY	
50	95029000023	SPACER 15,5x20x12,2	
51	00111000015	WASHER D.10,5X21X2	
52	00111250004	SELF BL. NUT M10	
53	87001000028	PERNO PULEGGIA OZIOSA ZNT	
54	00777100025	KOYO BEARING 6304 2RS	
55	87001000031	PULEGGIA OZIOSA PTO ZNT	
56	87001000004	SPACER	
57	87001410000	PIASTRA SUPP. PULEG. OZIOSA PTO COMP.CAT	
58	00777803400		
59	00111000095	SELF BLO. NUT M8	
60	00111000105	WASHER P.13X24X2,5	
61	87001000029		
62	87001000066	TIE ROD GEARS	

#

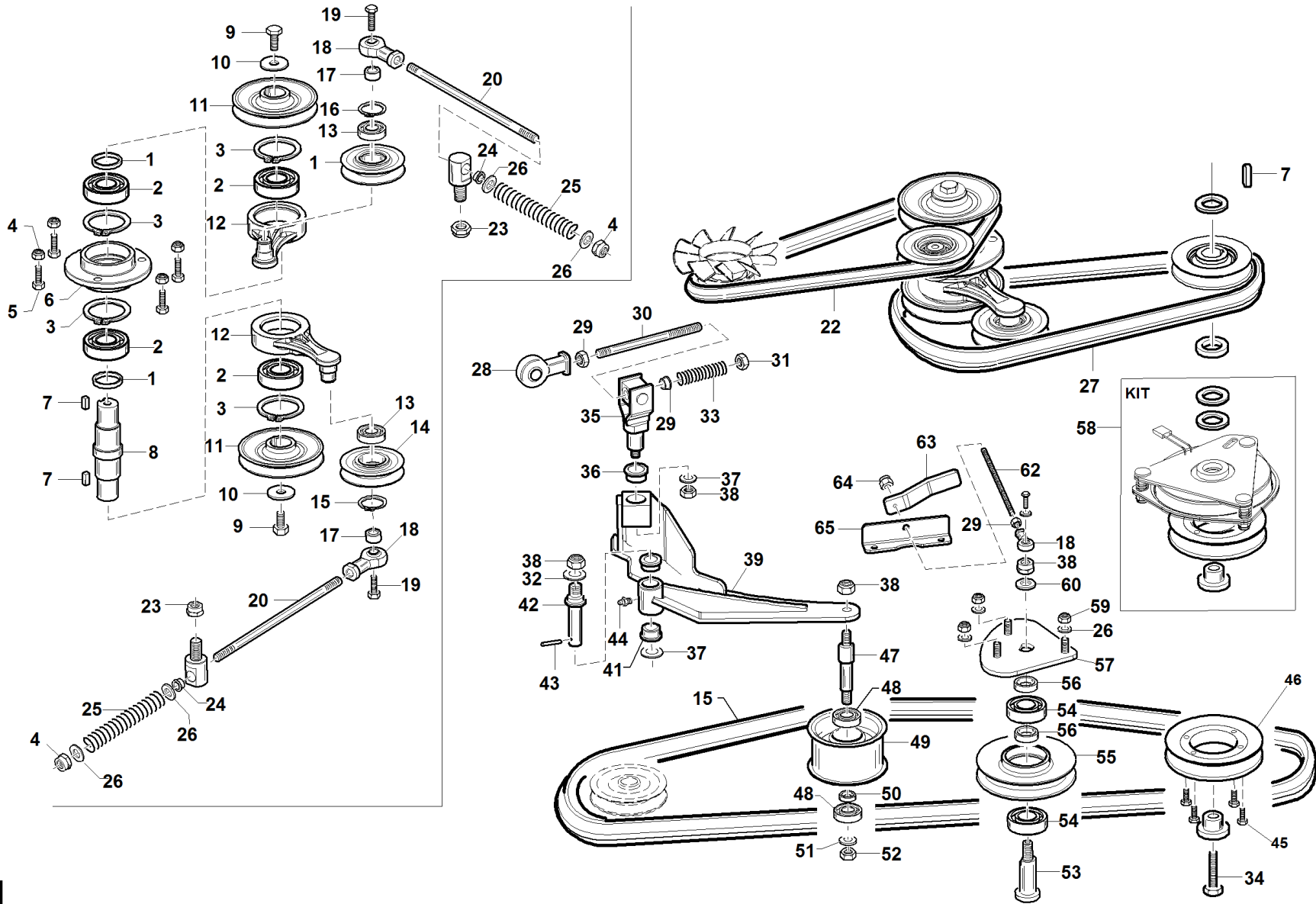
P/N

DESCRIPTION

GTR

63	87001000067	LOCKING HANDLE	
64	00111000035	SELF BLOC. NUT M6	
65	87001000065	ANGLE	
66	00111900023	TONGUE 1/4X1/4X42	
67	87001000057	SPACER Ø40xØ25.4x3	

**GTR**



**S/N**

→ **1201001 ÷ 1205013** ←

**REF.06 - 00555501806**

#	P/N	DESCRIPTION	GTR
1	87001000018	SPACER	
2	00777100061	KOYO BEARING 60062RS1 30X55X13	
3	00111650003	SNAP RING D.55 I	
4	00111000071	SELF BLO. NUT M8	
5	00111300008	SCREW TE M8X25	
6	87001000016	SUPPORTO ALBERO RINVIO ZNT	
7	00111900022	TONGUE 1/4 X 1/4 X 14,5	
8	87001000017	STEERING TRANSMISSION SHAFT	
9	00111000046	SCREW TE M10X20 8.8 ZNT	
10	00111550010		
11	87001000019	PULEGGIA MOTRICE ZNT	
12	87001000020	BRACCIO TENDITORE ZNT	
13	00777100010	BEARING 6003 2RS 17X35X10	
14	95500320000	TIGHTENER PULLEY	
15	00111980047	SPB 2330 77-26 BELT	
16	00111650005	SNAP RING D.35 I	
17	95001000027	BORE WASHER Ø8.25X14 L=8	
18	00777200007	ARTICULATION HEAD CF8 M8	
19	00111000033	SCREW TE M8X30	
20	92001000021	LEVER STAFF BELT TIGHTENER	
22	00111980048	QUAD POWER III XPA 690 BELT	
23	00111000080	SELF BLO. SCREW M10	
24	00111530002	SYNTHETIZE BUSHING 8X10 L=9.5	
25	94500000088	PTO TIGHTENER SPRING	
26	00111000061	WASHER 8.4X24X2	
27	00111980038	QUAD POWER II BELT	
28	00777200019	SPHEROX TF12 RIGHT	
29	00111150010	NUT 5589	
30	87001000064	CAM ROD	
31	00111250008	SELF BL. NUT M12	
32	00111000105	WASHER P.13X24X2,5	
33	87001000059	SPRING De=19.2 L=152 FILO=3	
34	00111300056	SCREW TE 7/16-20 L=60	
35	87001440000	PERNO TENDITORE PTO COMPLETO ZNT	
36	00111990017	BUSHING WITH EDGE TFF 20/16,5	
37	00111500004	WASHER 15,2X28X2.5	
38	00111250002	SELF BL. NUT M12	
39	87001430000	BELT TIGHTENER	
41	95001000060	BRASS BUSHING	
42	87001000049	PERNO FISSAGGIO TENDITORE PTO ZNT	
43	00111000039	ELASTIC PEG D.5X24	
44	00111000036	GREASER M6	
45	00111300039	SCREW TE M6X30	
46	87001000025	PULEGGIA MOTRICE PER FRIZIONE ZNT	
47	87001000048	PULLEY SHAFT	
48	00777100005	KOYO BEARING 6202 2RS	
49	95029000007	STOP BELT PULLEY	
50	95029000023	SPACER 15,5x20x12,2	
51	00111000015	WASHER D.10,5X21X2	
52	00111250004	SELF BL. NUT M10	
53	87001000028	PERNO PULEGGIA OZIOSA ZNT	
54	00777100025	KOYO BEARING 6304 2RS	
55	87001000031	PULEGGIA OZIOSA PTO ZNT	
56	87001000004	SPACER	
57	87001410000	PIASTRA SUPP. PULEG. OZIOSA PTO COMP.CAT	
58	95597010000		
59	00111000095	SELF BLO. NUT M8	
60	00111000105	WASHER P.13X24X2,5	
62	87001000066	TIE ROD GEARS	

#

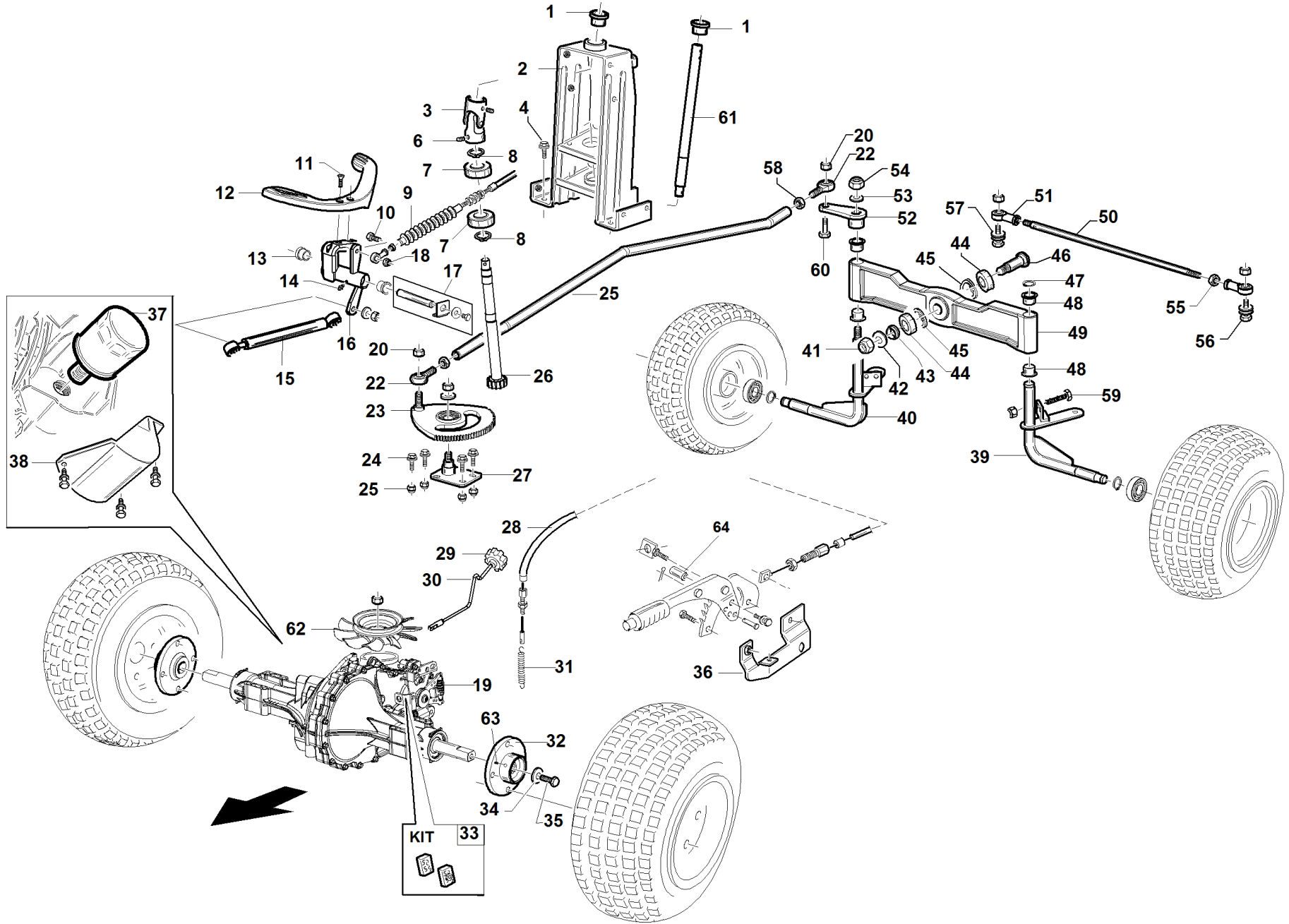
P/N

DESCRIPTION

GTR

REF. 06 - 00555501806

63  
64  
6587001000067  
00111000035  
87001000065LOCKING HANDLE  
SELF BLOC. NUT M6  
ANGLE





#	P/N	DESCRIPTION	GTR
1	95500000029	BUSHING STEERING	
2	94500260000	STEERING COLUMN	
3	00777200002	STEERING JOINT	
4	00111450003	SCREW WASHER M8X20	
5	00111000082	NUT M8	
6	00111000147	PIN EL D.5X30	
7	00777100008	BEARING 6204 2RS 20x47x14	
8	00111000057	SNAP RING D.20 E	
9	92006000012	ADVANCEMENT CABLE GTSD	
10	00111000137	SCREW TE M6X25	
11	00111350022	SCREW TSPEI M8X30 ZNT	
12	95533000003	ACCELERATOR PEDAL	
13	95001000060	BRASS BUSHING	
14	00111000036	GREASER M6	
15	00777600196		
16	89001320000	ACCELERATOR PEDAL SUPP. COMPL.	
17	95597270000	PEDAL PIN KIT	
18	00111000035	SELF BLOC. NUT M6	
19	87001000012		
20	00111250002	SELF LOCKING NUT M12 UNI 7474	
21	00111000080	SELF LOCKING NUT M10 UNI 7474	
22	00777200022	ARTICULATION HEAD TM12 M12	
23	87001300000		
24	00111000093	HEXAGON SCREW M8x20 UNI 5739	
25	00111000095	SELF BLO. NUT M8	
26	87001000041		
27	87001320000		
28	89001000029	PARK BRAKE CABLE	
29	00111610001	KNOB M6	
30	87001000058		
31	89001000030	TRACTION SPRING De=14.5 L=73	
32	87001000015		
33	95598620000	GTM/GSM AXLE BRAKE PAD	
34	00111550010		
35	00111300075	SCREW	
36	PZ95500390000	HAND BRAKE SUPPORT	
37	00777650076	HYDROSTATIC GROUP OIL FILTER	
38	95599000121		
39	87001240000		
40	87001230000		
41	00111000167	SELF BL. SCREW	
42	00111500025	WASHER 17X30X3	
43	87001000033		
44	00777100006	BEARING 6004 2RS 20X42X12	
45	00111650002	SNAP RING D.42 I UNI 7437	
46	87001000032		
47	00111650013	SNAP RING D.20X1,5 E	
48	00111990017	BUSHING WITH EDGE TFF 20/16,5	
49	87001000007		
50	87001000050	STEERING TIE ROD	
51	00777200027	ARTICULATION HEAD CF10 M10	
52	87001220000		
53	00111000105	WASHER P.13X24X2,5 UNI 6592	
54	00111250002	SELF LOCKING NUT M12 UNI 7474	
55	00111150002	NUT M10 UNI 5588	
56	00111300018	HEXAGON SCREW M10x35 UNI 5739	
57	00111000015	WASHER D.10,5X21X2	
58	00111150010	NUT 5589	
59	00111000094	SCREW TE M8X40	

#

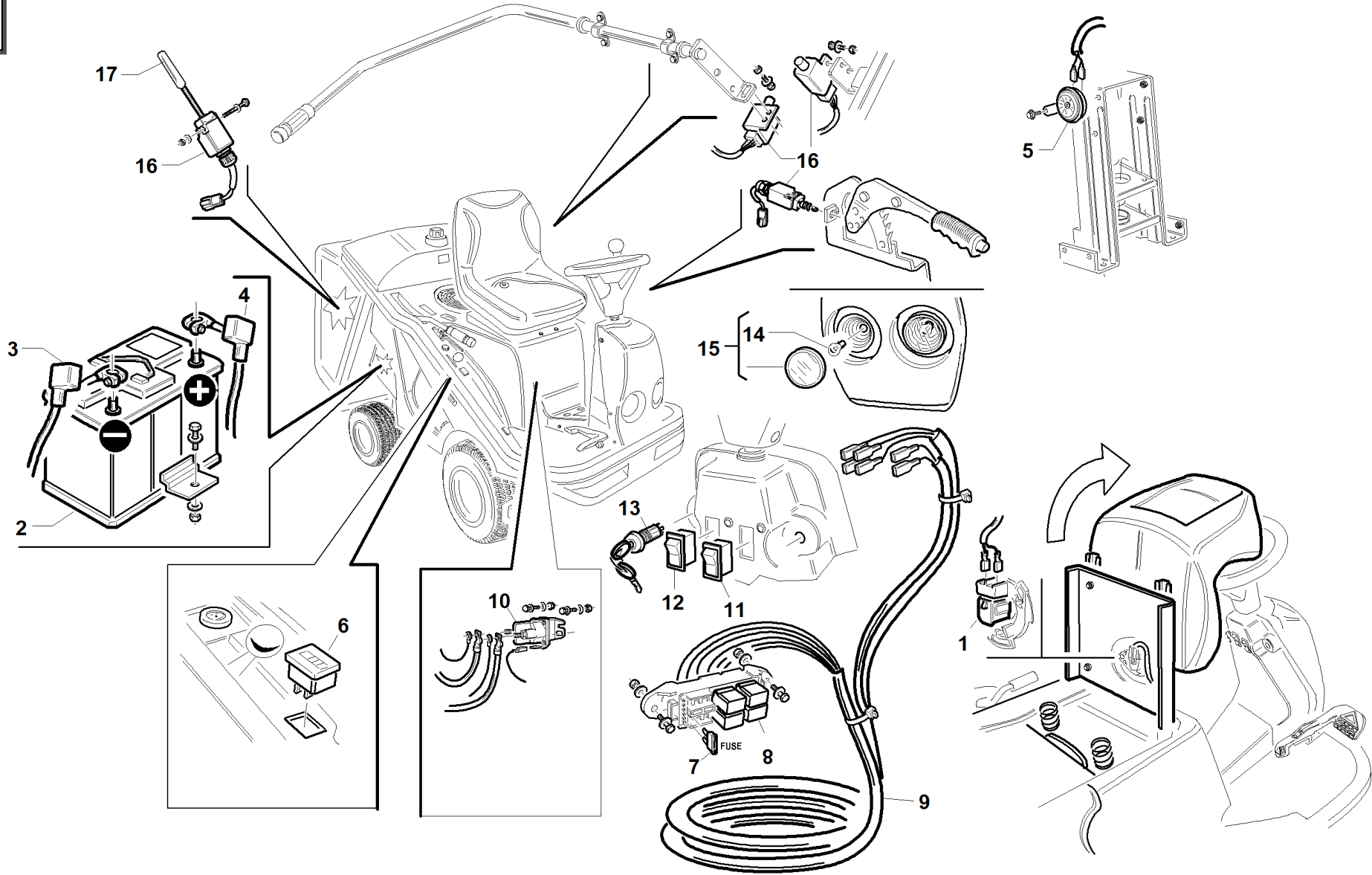
P/N

DESCRIPTION

GTR

60	00111000024	SCREW TE UNI 5739	
61	89001000054		
62	95598800000		
63	00111960001	GRUB M8X10 NO POINT	
64	95002000004	HOPPER STOP PIN	

**GTR**



#

P/N

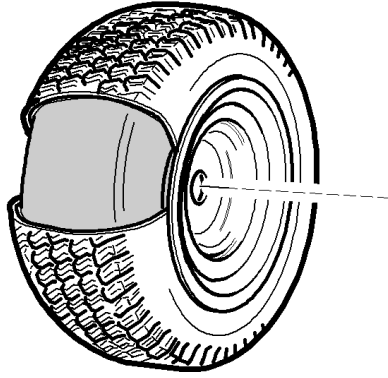
DESCRIPTION

GTR

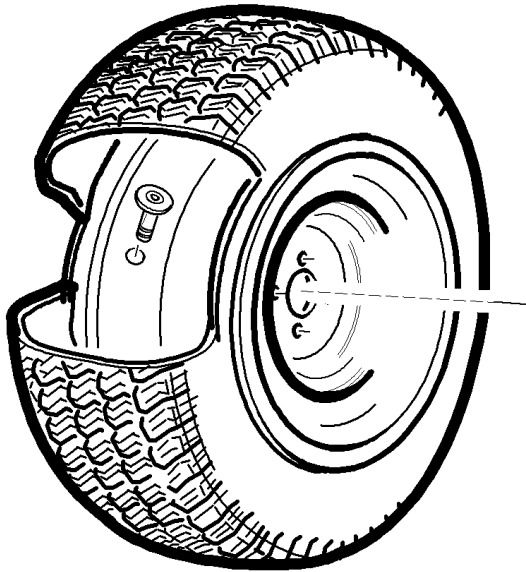
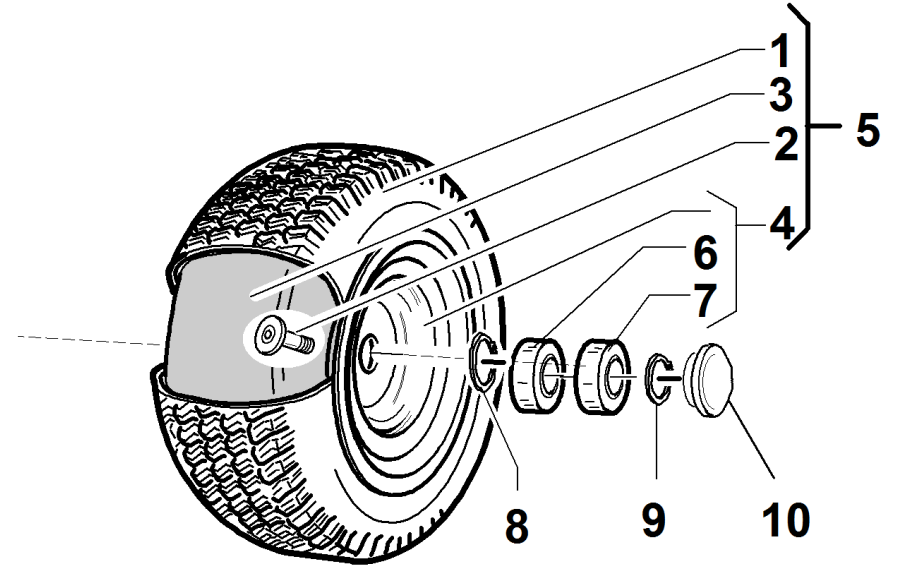
REF. 08 - 00555501808

1	00777800216	SEAT MICRO SWITCH	
2	95599000036	BATTERY 12V 43A	
3	89001500004	NEGATIVE BATTERY CABLE	
4	87001350001		
5	00777800022	HORN 12V	
6	00777800219	HOUR METER	
7	00777800214	"MICRO BLADE FUSE 20AMICRO BLADE FUSE 2"	
8	00777800059	MICRO RELAYS 12V	
9	89001500001	GTM155/160 CENTRAL HARNESS	
10	00777800218	RELAIS B&S	
11	00777800221	CLUTCH SWITCH	
12	00777800220	LAMPS SWITCH	
13	00777800222	START SWITCH	
14	95599000021	LAMP WITH SUPPORT	
15	00777800137	PROJECTOR	
16	00777800223	FULL HOPPER MICRO SWITCH	
17	00111970178	FUEL % OIL HOSE	

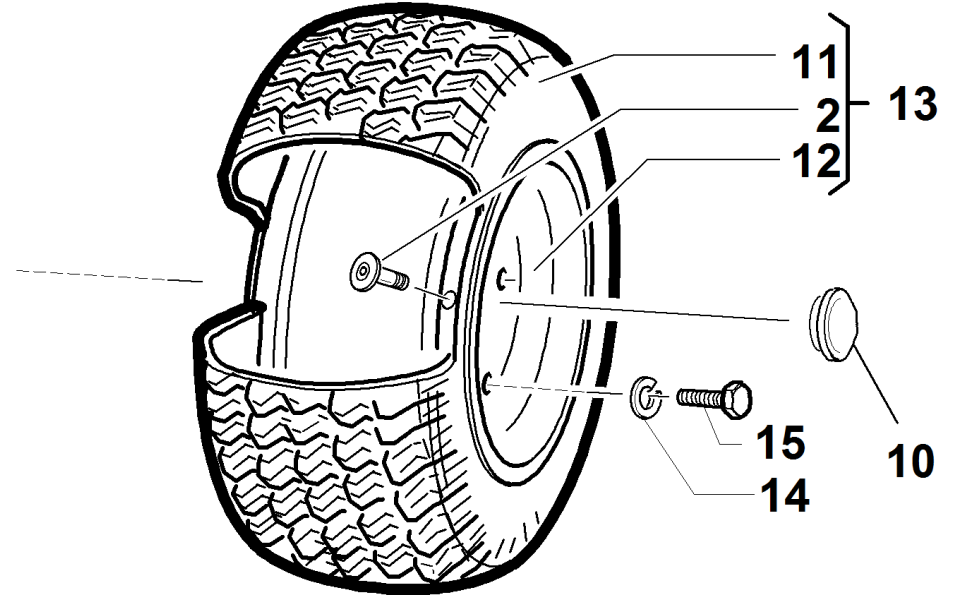
**GTR**



**13"**

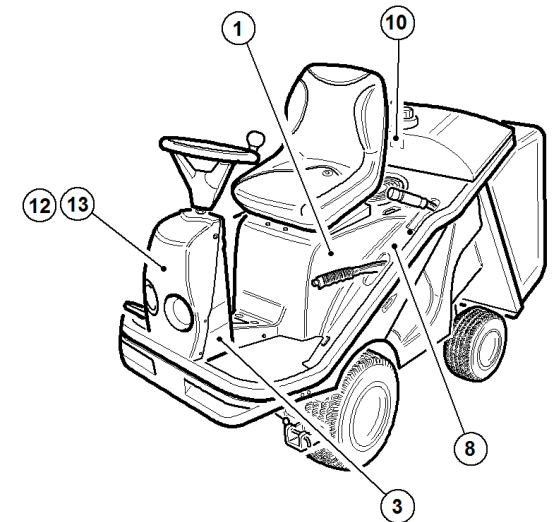
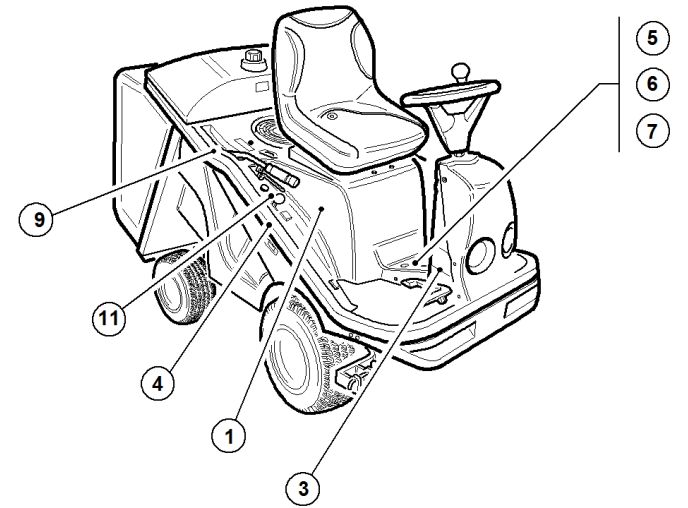
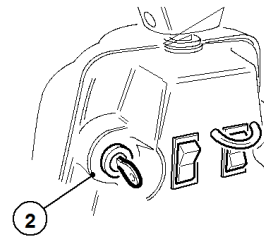
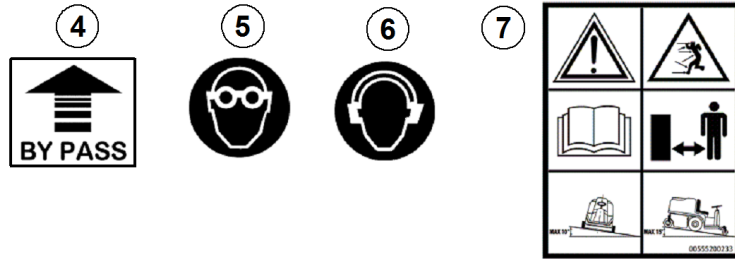
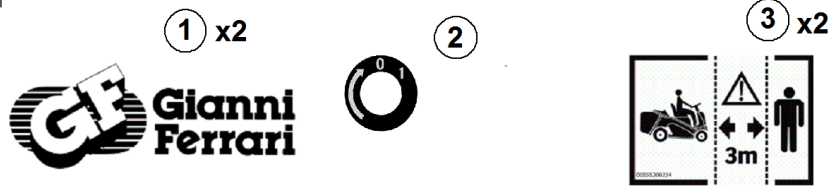


**16"**



#	P/N	DESCRIPTION	GTR
1	00111940033	TURFMASTER 13X5.00-6 4PR TIRE	
2	00111930006	TUBELESS VALVE TR413	
3	00111930001	CARLISE WHEEL 20X10.00-8	
4	92003110001	WHEEL RIM 3.75X6"	
5	87001160000	CARLISE WHEEL 13X5.00-6	
6	00777100008	BEARING 6204 2RS 20x47x14	
7	00777100028	KOYO BEARING 6303 2RS	
8	00111650013	SNAP RING D.20X1,5 E	
9	00111650034	SNAP RING D.17 E	
10	00111970214	TAPPO ROTONDO PIANO Ø52	
11	00111940032	TURFMASTER 16X7.50-8 4PR TIRE	
12	87001170001		
13	87001170000	RUOTA CARLISLE 16x7.50-8 COMPLETA	
14	00111550004	ELASTIC WASHER M12	
15	00111300055	SCREW TE M12X1,25X25	

**GTR**



#	P/N	DESCRIPTION	GTR
1	00555200240	TRANSF.PRINTING "GIANNI FERRARI"	
2	00555200013	TRANSFER PRINTING START	
3	00555200203	TRANSFER PRINTING FOR MOWER DECK & AUX	
4	00555200239	TR.PRINTING BY-PASS	
5	00555200130	TRANSFER PRINTING EYE PROTECTION	
6	00555200129	TRANSFER PRINT.HEARING PROTEC.	
7	00555200233	DANGER TRANSFGER PRINTING GTM	
8	00555200241	TR.PRINTING "PARKING BRAKE"	
9	00555200238	TR.PRINTING OVERTURNING ARM	
10	00555200163	"PETROL" FUEL TRANSFER PRINTING	
11	00555200237	TR.PRINTING MIN-MAX STARTER	
12	00555200272	TRANSFER PRINTING	
13	00555200273	TRANSFER PRINTING	



[www.gianniferrari.com](http://www.gianniferrari.com)

*Advanced Groundcare Solutions™*

**COMPANY WITH QUALITY  
MANAGEMENT SYSTEM CERTIFIED BY DNV  
= UNI EN ISO 9001:2008 =**



**Gianni  
Ferrari**

**GIANNI FERRARI S.r.l.**

Via Vespucci ,53 (z.ind. Ranaro)  
42046 Reggiolo (Reggio Emilia) Italy  
Tel. +39.0522.973697 - Fax +39.0522.973707  
e-mail: [info@gianniferrari.com](mailto:info@gianniferrari.com)



**OFFICINE BIEFFEBI S.p.A.**

Via dell'Artigianato ,7  
46023 Gonzaga (Mantova) Italy  
Tel. +39.0376.52641 - Fax +39.0376.588270  
e-mail: [bieffebi@gianniferrari.com](mailto:bieffebi@gianniferrari.com)